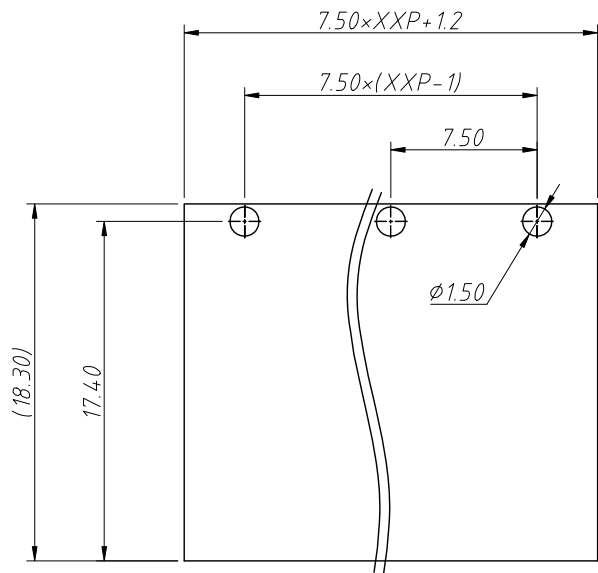
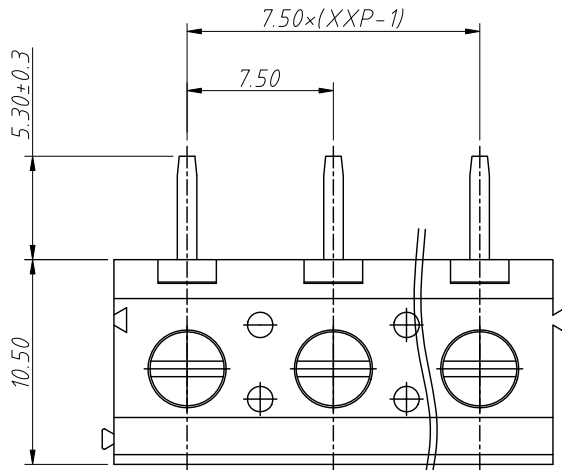


1 RoHS Compliance

REV	SYM	Revision Record	Appr.	Date
V0	KLS02006	New Version Release	Song	2024-11-13



Recommended PCB Layout



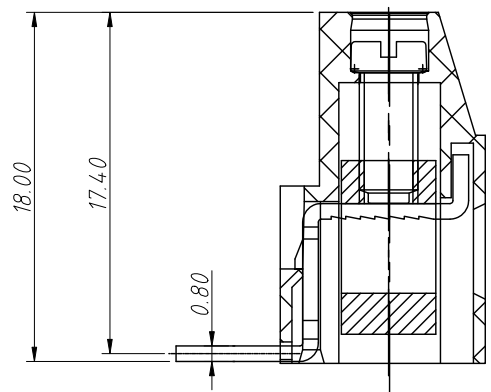
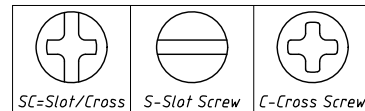
Electrical Characteristics	UL	IEC
Rated Voltage	300V	450V
Rated Current	20A	24A
Withstand Voltage	AC2000V/1 min	---
Wire Range	26 ~ 12 AWG	2.5 mm <sup>2</sup>

Material and other:  
 Housing: PA66, UL94V-0  
 Pin Header: Brass, Tin Plated  
 Cage: Brass, Ni Plated  
 Screw/Torque: Steel, Zn Plated, M3.0/0.5N.m  
 Contact Resistance: 20mΩ Max  
 Insulation Resistance: 500MΩ / DC500V Min  
 Stripping Length: 6-7mm  
 Temp. Range: -40°C ~ +105°C  
 MAX Soldering: 250°C For 5S

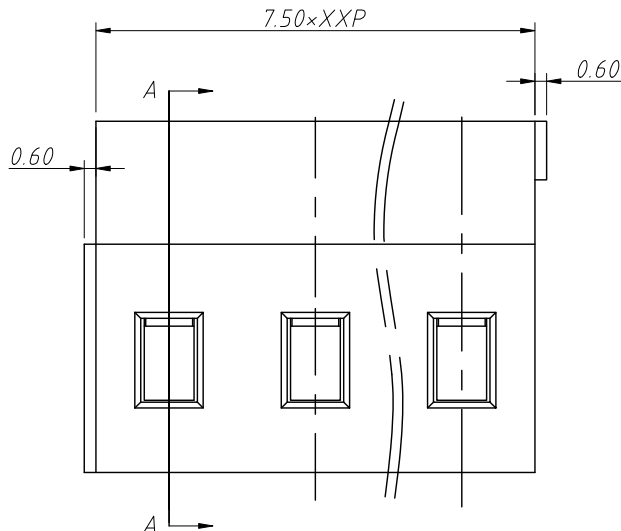
Order Information

L-KLS2-129R-7.50-XXP-X X

RoHS  
 Terminal Block  
 Pitch: 7.50mm  
 No.: Of (02 ~ 24) Pin  
 Color:  
 1=Gray 2=Blue 3=Black  
 4=Green 5=Orange 6=Red  
 7=Transp 8=Yellow 9=White  
 Screw: SC=Slot/Cross  
 S=Slot Screw C=Cross Screw



SECTION A-A

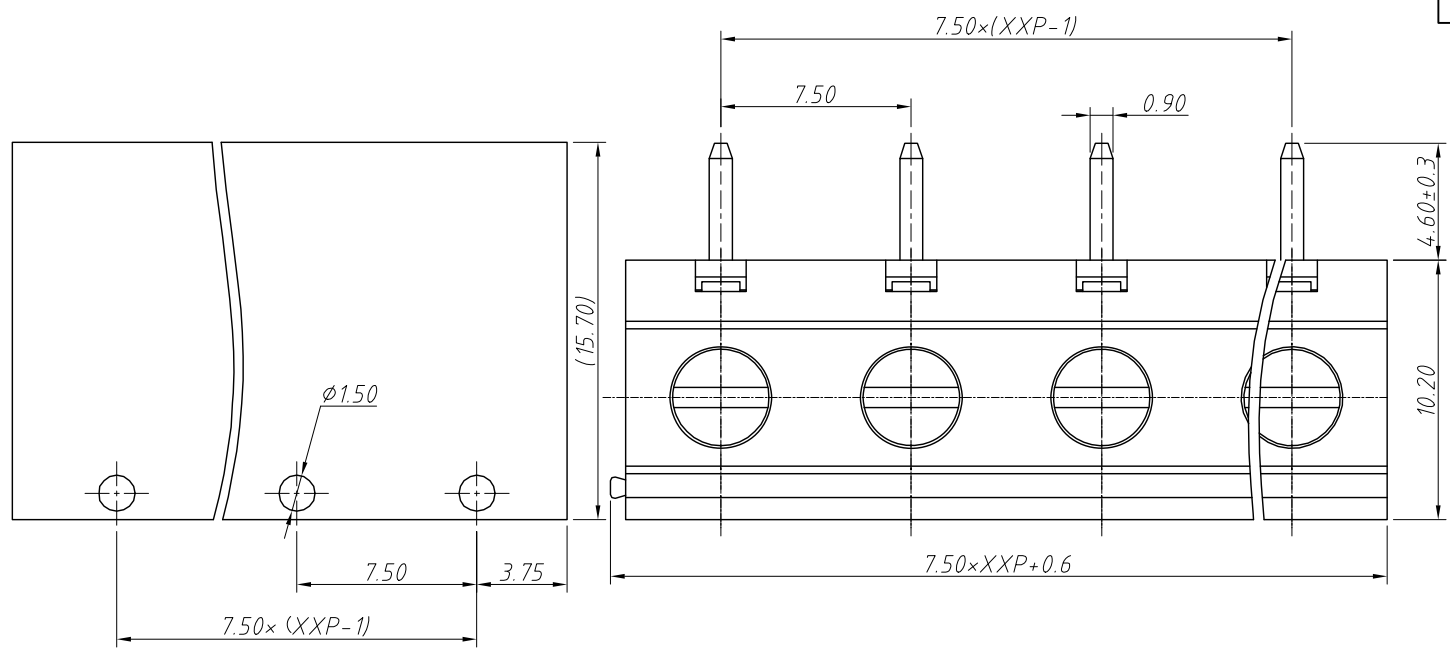


ANGLE TOLERANCE	PROJECTION	Description:	Pitch 7.50mm Terminal Block	
±3°				
GENERAL TOLERANCE	UNITS	mm	KLS P/N:	L-KLS2-129R-7.50-XXP-XX
0 ~ 30	±0.50	SHEET SIZE	A4	
30 ~ 60	±0.75	Draw:	Song	2024-11-13
60 ~ 90	±1.00	Check:	Daniel	2024-11-13



1 RoHS Compliance

REV	SYM	Revision Record	Appr.	Date
V0	KLS02006	New Version Release	WuHao	2024-09-18

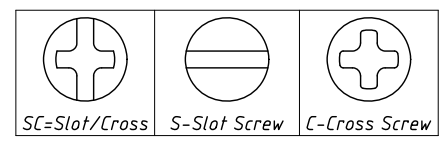


Electrical Characteristics	UL	IEC
Rated Voltage	300V	450V
Rated Current	16A	20A
Withstand Voltage	1600V/1 min	6.0KV
Wire Range	12~22 AWG	0.5-2.5mm <sup>2</sup>

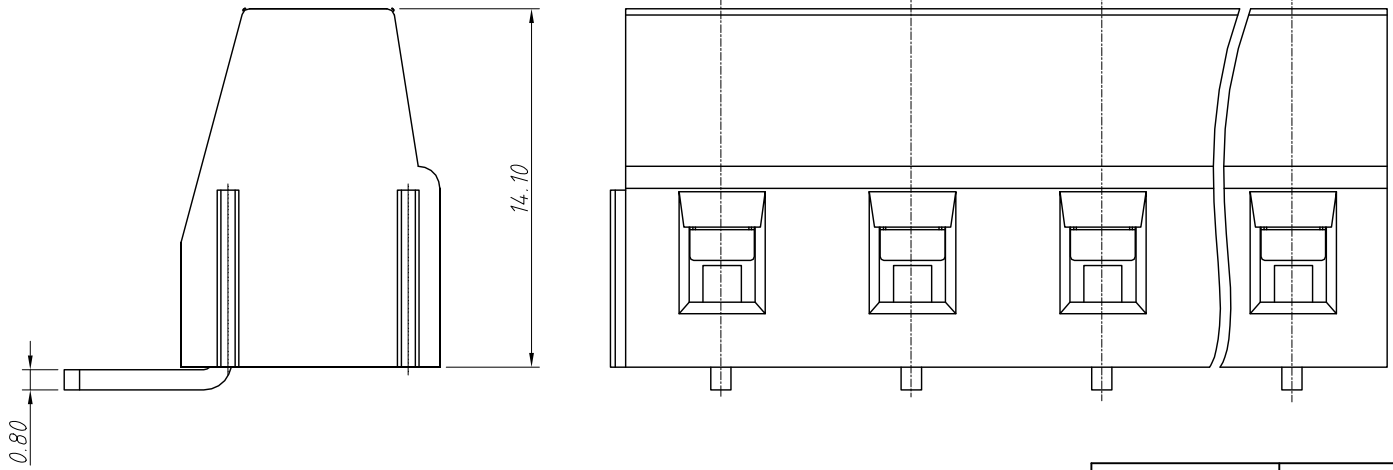
**Material and other:**  
 Housing:PA66, UL 94V-0  
 Pin Header:Copper Alloy,Sn Plated  
 Cage:Copper Alloy,Ni Plated  
 Screw/Torque:M2.5 Zn Plated/0.4N.m Max.  
 Steip Length:6-7mm  
 Soldering Temperature:260°C/ 5 S  
 Operating Temperatur:-40°C ~ +105°C

**Order Information**  
 L-KLS2-128R-7.50-XXP-X X

RoHS  
 Terminal Block  
 Pitch:7.50mm  
 No.:Of (02~24) Pin  
 Color:  
 1=Gray 2=Blue 3=Black  
 4=Green 5=Orange 6=Red  
 7=Transp 8=Yellow 9=White  
 Screw:SC=Slot/Cross  
 S-Slot Screw C-Cross Screw



Recommended PCB Layout



ANGLE TOLERANCE	PROJECTION	Description:
±3°		Pitch 7.50mm Screw fixation Terminal Block
GENERAL TOLERANCE	UNITS	mm
0~30 ±0.50	SHEET SIZE	A4
30~60 ±0.75	Draw:	WuHao 2024-09-18
60~90 ±1.00	Check:	Daniel 2024-09-18
		L-KLS2-128R-7.50-XXP-XX

